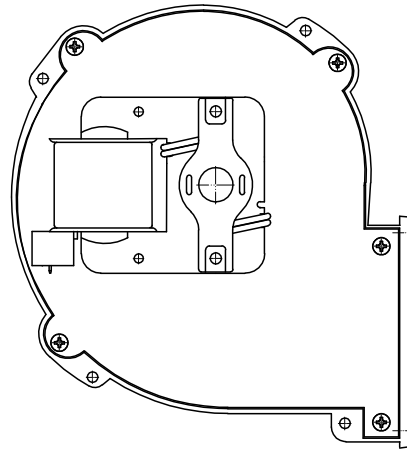
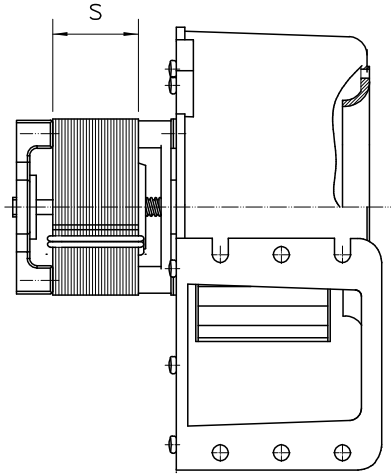
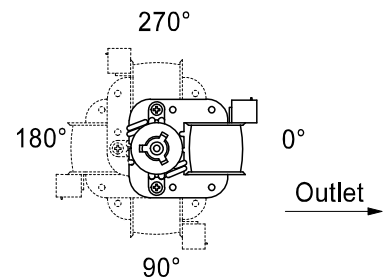


CENTRIFUGAL BLOWER



Alternative motor angles:



Available in single and double units, with single or double intake.
Standard for all motor types: insulation class F or H; 230V/50Hz alt. 120V/60Hz.(on request 24V DC,single)

Stack size (S) : 10/15/20/30/35/40

Blower	Housing	Intake	Wheel
CF 50	Nylon	Single	Ny
CFN 70	Nylon	Single	Ny
CF 70	Aluminium	Single	Ny / Al
CF 80	Aluminium	Single	Al
CFA 80	Galvanized sheet	Single	Al
CFO 80	Galvanized sheet	Single	Al
CFA-DA	Galvanized sheet	Double	Al
CFO-DA	Galvanized sheet	Double	Al
CFD-DA	Galvanized sheet	Double	Al
CF 100	Aluminium	Single	Al

Description	
Airflow	Up to 420 m3/h
Input power	Up to 120 W
Pressure	Up to 275 Pa

