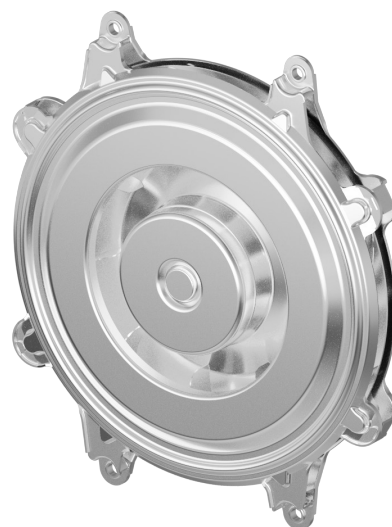


AirBlaster blower is specially designed for ventilation of vehicle seats. Optimal for applications with limited space and with requirements for high pressure

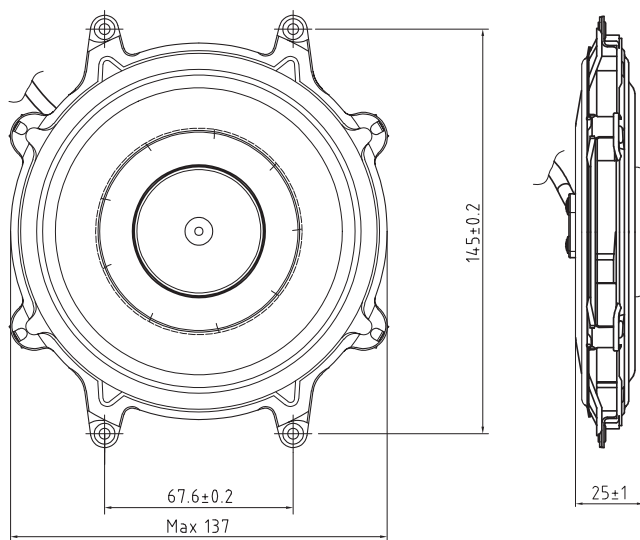
AirBlaster KNB 130x7

Operating temperature	-20 °C +70 °C
Speed At Free Air	1500 - 4600 RPM
Speed control	PWM, LINBUS or by input voltage
Total height	25 mm
Housing and wheel material	Aluminium
Compliance	CE, EMC
Connection	Leadwire or connector
Nominal voltage	12VDC or 24VDC or 48VDC
Voltage range	Depending on speed control design (see drawing)



Model	Speed at free air (RPM)	Airflow at free air (m³/h)	Static pressure at zero airflow (Pa)	Test voltage (V)	Current (A)	Input power (W)	Sound pressure level (dBA)
AirBlaster KNB 130x7	4741	90	573	28	0,41	11,6	42

Key dimensions:



Air performance curve:

