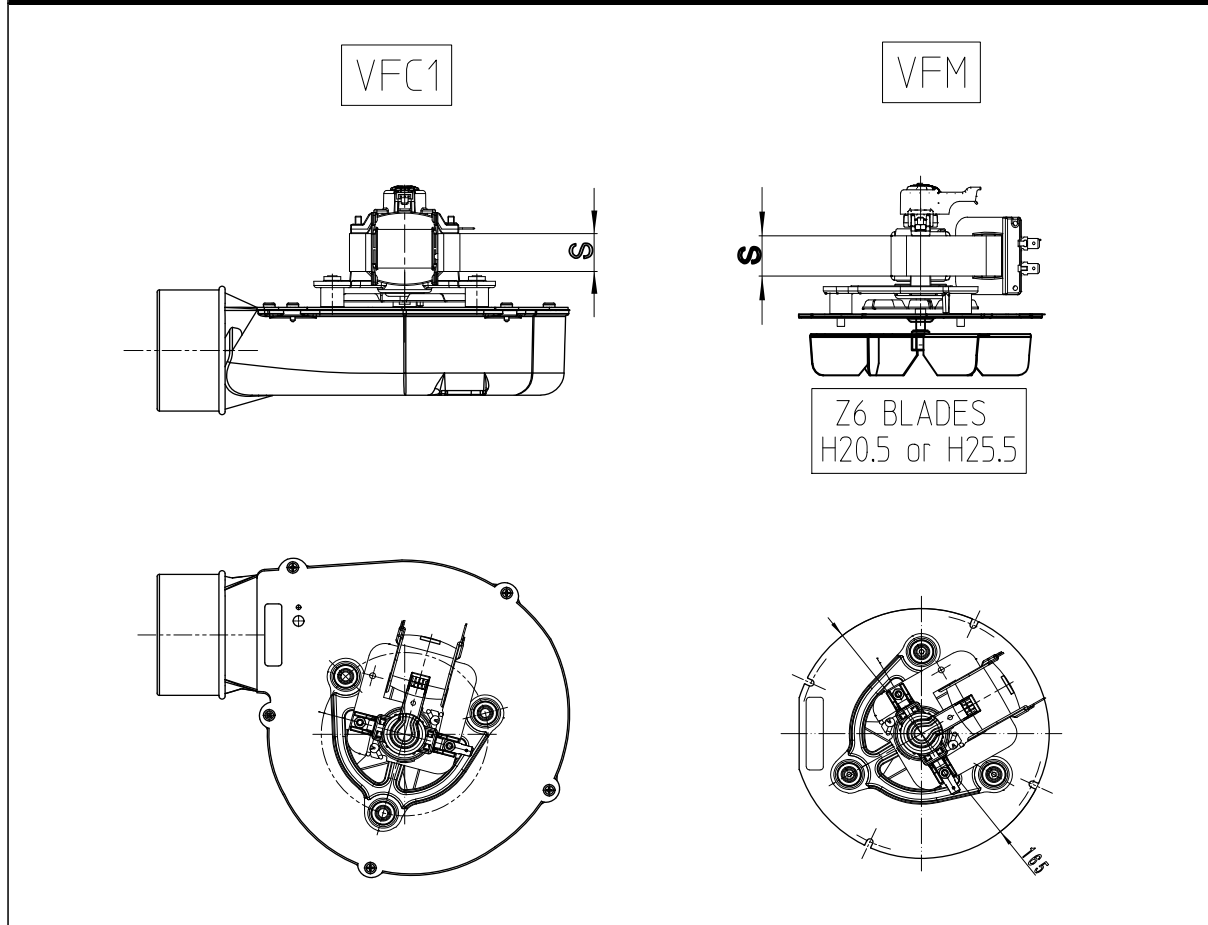


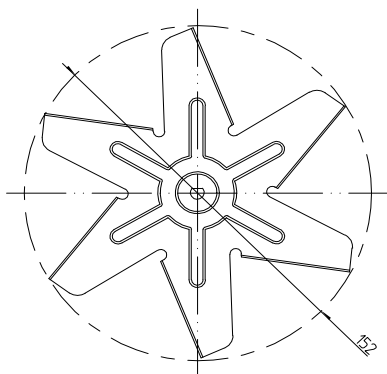
SMOKE EXTRACTORS VFC1-VFM 160



Used in a wide range of products such as, pellet stoves, pellet boilers,
 Standard for all motor types 230V-50Hz : insulation class H; thermal protector, with /without housing.
 available with/without hall sensor for motor H25
 Impellers in AISI 430, 6 blades available with height 20.5 or 25.5mm

Stack size (S) : 15/25/30

Description	
Airflow	Up to 190 m3/h
Input Power	Up to 63 W
Pressure	Up to 288 Pa
Speed	Up to 2750 RPM



Smoke extractors description example:

VF C1 160 25 20.5
 Fan _____
 Housing (C1) without (M) _____
 Series _____
 Stack size _____
 Height of the blades _____